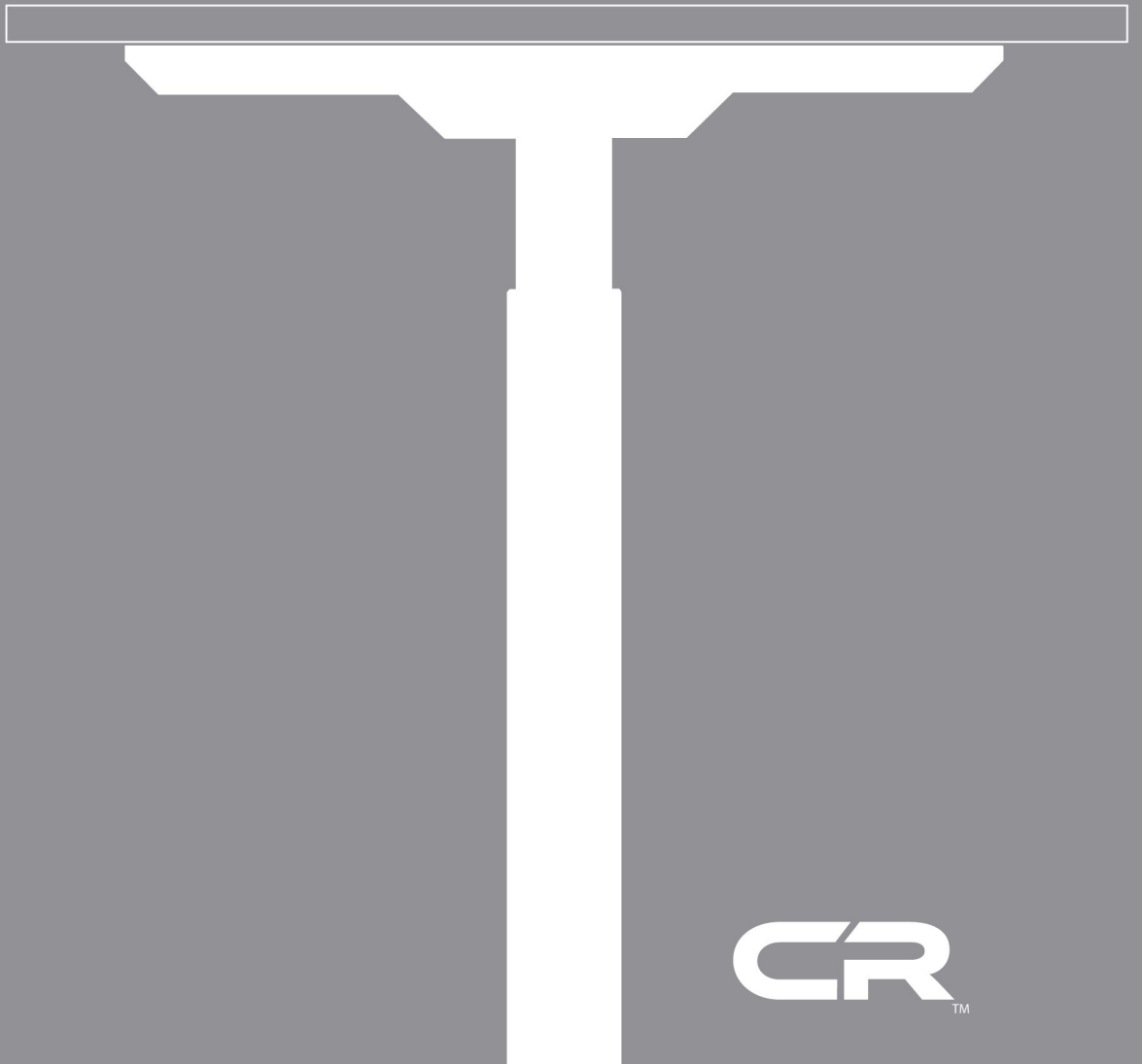


vt mini
Desking



CRTM

New Technology for Work Efficiency & Health Benefits

TECHNICAL SPECIFICATIONS

Frame Orientation	Rectangular
Maximum Load	120kg
Constant Speed	(<80kg)
2 Stage Column:	31 mm/s
Frame Height	2 Stage Column (BIFMA): 730-1200mm Include "T" Leg Base
Frame Width	1165 - 1965mm
Weight of VT Package	33 Kg

*Recommended Work Surface Dimensions
1200-2000mm (Length) , 600-1100 (Width)

Smart Features	T-touch (Anti-Collision)
-----------------------	--------------------------

Wireless Charging Unit	(Optional)
Low Standby Power	<0.1W
Low Noise Level	39dB

Accessories & Features

Detachable Frameless Screen Divider

"T" Leg Base 580mm (Width), 730mm (Width)

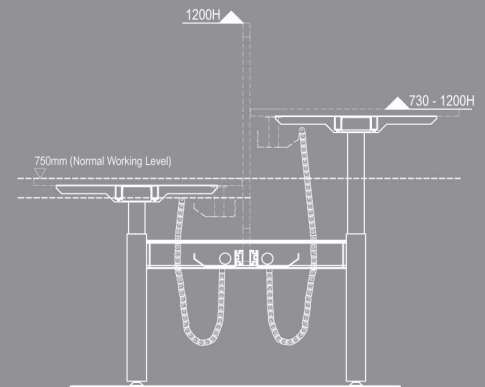
High Strength and Stability - Steel Construction

Pre-assembled frame kit - Significantly reduces installation time

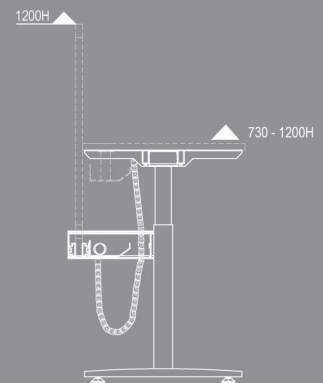
Wire Management

Wire Box with Detachable cover and Horizontal Raceway Access.

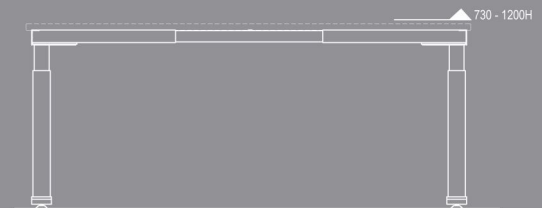
ELEVATION



SIDE ELEVATION

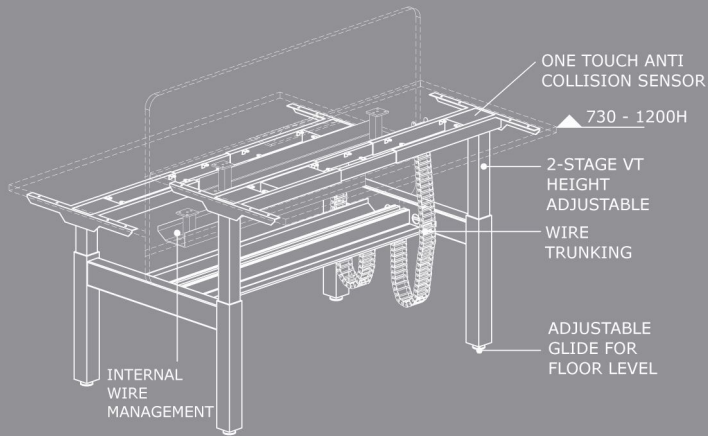


SIDE ELEVATION

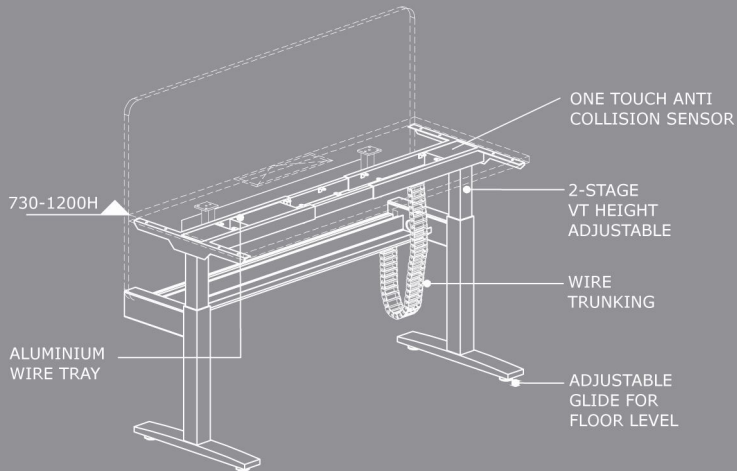


FRONT ELEVATION

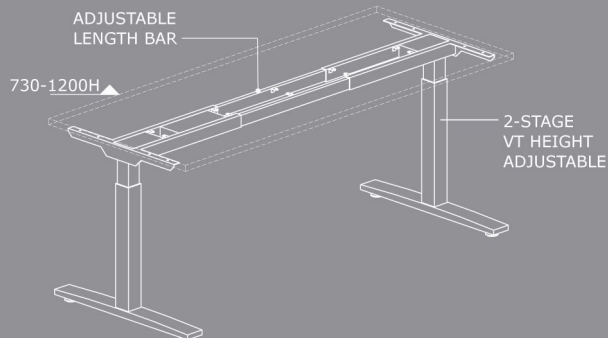
ISOMETRIC



BACK TO BACK VT-mini HEIGHT ADJUSTABLE DESK



SINGLE VT-mini HEIGHT ADJUSTABLE DESK



RECTANGULAR VT-mini HEIGHT ADJUSTABLE DESK (W/O SCREEN PANEL)

VT mini

2-Stage adjustable Height mechanism.
Functional desking for optimum productivity
while improving health via working in optional
standing position.



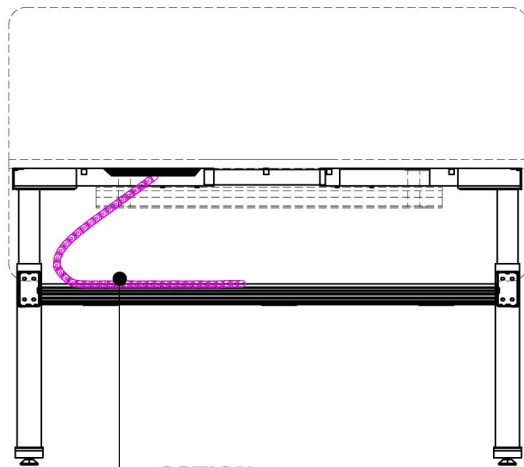
VT mini
Desking

STANDING DESK

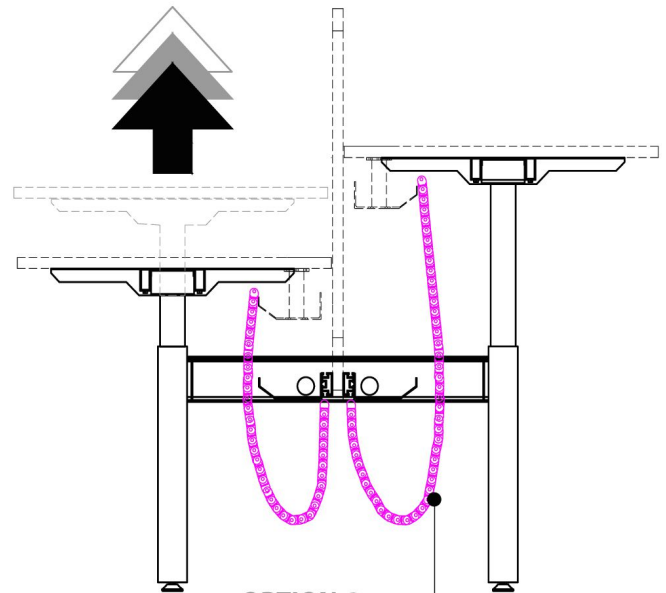
Workplace and time phase evolved and so our working attitude. Telling our body to be comfortable in standing position encourage unobstructed blood flow giving full support to brain functioning and reduces stress during rush moments.

vt mini Desking

10,000BC The discovery of fire is a game changer.
It softens meat and other hard food.
These allows a human being to intake variety of it,
resulting the increase of brain size and so are the intelligence.
Now, to change the way we work and staying healthy
without compromising productivity, here comes the VT-mini.



OPTION-1
HORIZONTAL WIRE
MANAGEMENT



OPTION-2
VERTICAL WIRE
MANAGEMENT

SUSTAINING HEALTH

@ work

RE-GENERATE

INSTANT ENERGIZER AMIDST
DAILY CHALLENGES

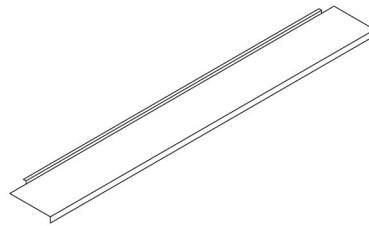


EASE + COMFORT

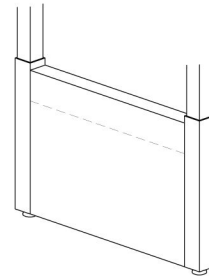
IT TAKES ONE PUSH BUTTON TO CHANGE THE GAME. VT-mini HAS A DEDICATED FEATURE TO MAXIMIZE COMFORT OUT FROM ORDINARY WORKING HABIT.



accessories



METAL COVER
FOR FULL LENGTH
ALUMINIUM TRAY



METAL WIRE BOX COVER



C&R Interiors Pte Ltd

Export Sales:
export@cnrinteriors.com.sg

Local Sales:
admins@cnrinteriors.com.sg

www.cnrinteriors.com.sg

Head Quarter

57/59 Defu Lane 9
Singapore 539295
tel +65 6488 0577
fax +65 6488 0588

Showroom

100 Pasir Panjang Road #01-01
Singapore 118518
tel +65 6372 0428
fax +65 6255 4288