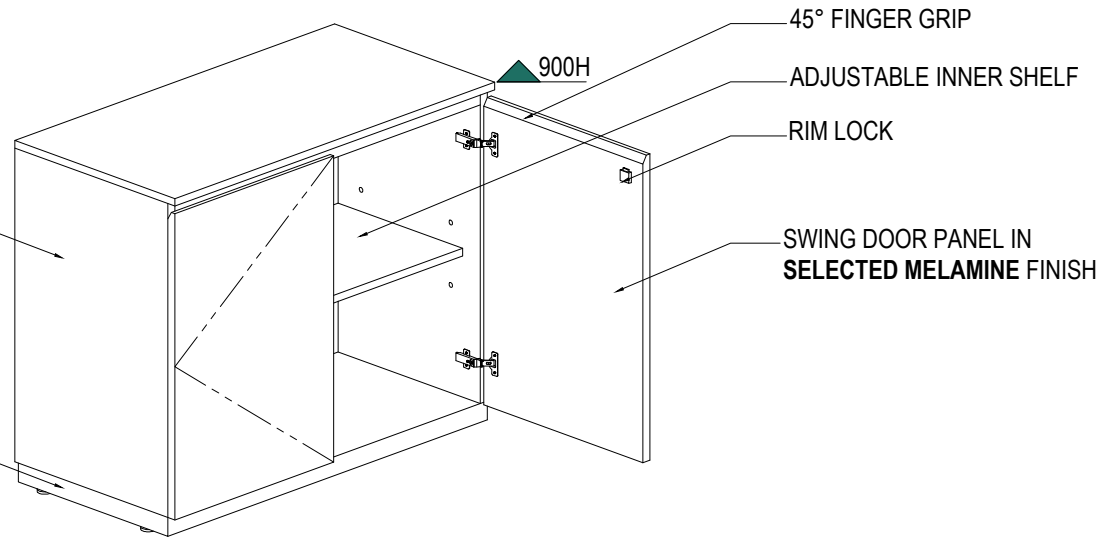


PLAN
SCALE 1 : 20

SIDE & BACK CARCASS IN
SELECTED MELAMINE FINISH

50mmH SKIRTING IN **SELECTED MELAMINE FINISH** CW/ LEVEL ADJUSTABLE GLIDE



ISOMETRIC VIEW

NOTES:

1. All Dimension Given Are In Approximation
2. All Final Layout & Dimension Subject To Final Site Measurement

REV. STATUS:

REV	DATE	*REMARKS

LEGEND:-

APPROVED BY:

DATE:



C&R INTERIORS PTE LTD

HEADQUARTER :
57 Defu Lane 9, Singapore 539295
Tel: 64880577 Fax: 64880588
www.cnrinteriors.com.sg

JOB TITLE

PROPOSED SUPPLY AND INSTALL FURNITURE TO
(C&R- eShop)

DRAWING TITLE

PLAN & ISOMETRIC VIEW OF
LOW HT CABINET

Drawn By	M.C.P	Checked By	Mr. Alan
Scale	As Shown (A4 Size)	Date	4-May-20
Drawing no	ALN/ID/SD/01	Revised Date	
File location	D:\DATA\mcp\MR ALAN\ALAN\AUTO CAD\SHOP\WOODEN MOBILE PEDESTAL.dwg		
* ALL DRAWINGS AND DESIGN ARE COPYRIGHT OF C & R INTERIORS PTE LTD AND CANNOT BE USED WITHOUT THEIR PERMISSION			